



The Preferred Choice

SB2000 SEAT



SPECIFICATIONS

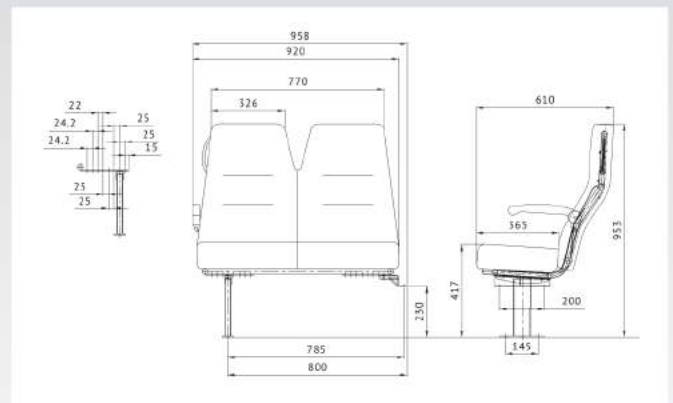


REAR VIEW

FRONT VIEW

- The APM SB2000 seat model comes with a gentle profile that let the passenger feel secure and comfortable.
- Its Polyurethane (PU) molded foam offers unsurpassed durability and comfort.
- The gentle contour of the seat makes it the ideal choice for school and city to city commuter bus applications.
- Gently contoured seat back that sits 2-3 passengers.
- Powder coated steel frame construction for durable finishing.
- Variable leg pitch adjustment for combination of floor and wall mountings.
- Contoured FRP formed seat back panel provides excellent leg room while also provide for ease of cleaning and maintenance.
- Hollow bar mounting legs offers ease of vehicle floor maintenance.
- Wide varieties of automotive grades trimming (Fabrics, vinyl).

DIMENSIONS :



OPTIONAL ACCESSORIES:

- Side grab handle.
- Aisle side armrest



Overseas Enquiries:
APM Auto Parts Marketing (Malaysia) Sdn. Bhd.
Email : apmex@apm.com.my
Telephone : +603-3161 8783
Website : www.apm.com.my

Domestic Enquiries:
APM Seatings Sdn Bhd.
Email : mktg_apmst@apm.com.my
Telephone : +603-3161 8695
Website : www.apm.com.my